

CORNER MINETTE™ WALL-HUNG LAVATORY

- Wall-hung corner sink
- Vitreous china
- Front overflow
- Supplied with 2 wall hangers
- Faucet ledge
 - Shown with 2000.101 Ceramix faucet (not included)

0451.021 Faucet holes on 102mm (4") centers

0451.001 Single center faucet hole

Nominal Dimensions:

279 x 425mm
(11" x 16-3/4")

Bowl sizes:

311mm (12-1/4") wide,
219mm (8-5/8") front to back,
133mm (5-1/4") deep

Compliance Certifications -

Meets or Exceeds the Following Specifications:

- ASME A112.19.2 for Vitreous China Fixture



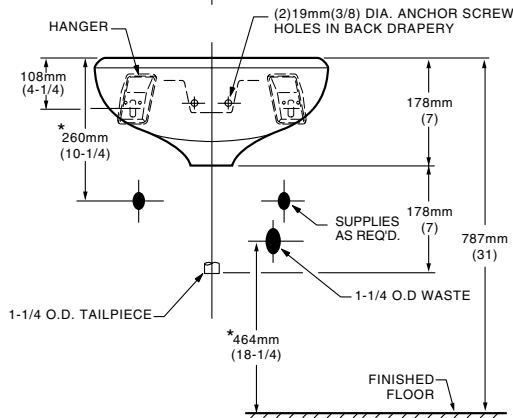
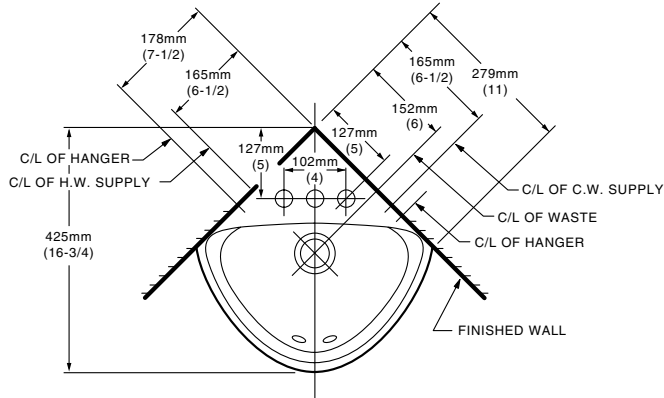
SEE REVERSE FOR ROUGHING-IN DIMENSIONS

To Be Specified:

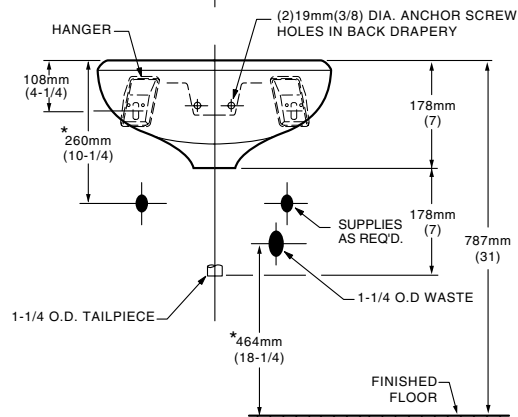
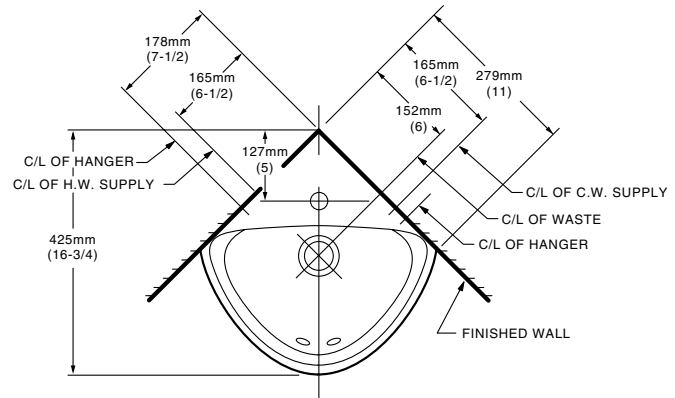
- Color: White Bone Silver Linen
 Black
- Faucet*:
- Faucet Finish:
- Supplies with Stop:
- 1-1/4" Trap:
- Nipple:

* See faucet section for additional models available

0451.021 4" CENTER FAUCET HOLES



0451.001 CENTER HOLE FAUCET



NOTES:
* DIMENSIONS SHOWN FOR LOCATION OF SUPPLIES AND "P" TRAP ARE SUGGESTED.
PROVIDE SUITABLE REINFORCEMENT FOR ALL WALL SUPPORTS.
FITTINGS NOT INCLUDED AND MUST BE ORDERED SEPARATELY.

IMPORTANT: Dimensions of fixtures are nominal and may vary within the range of tolerances established by ANSI Standard A112.19.2. These measurements are subject to change or cancellation. No responsibility is assumed for use of superseded or voided pages.